

# DTV-8634

SMP8634 HDTV Receiver Development Kit



The DTV-8634 development kit enables the rapid development of a DVB or ATSC HDTV that optionally supports wired or wireless networking, web browsing, MCX, DLNA, Microsoft® TV IPTV and playback of Blu-ray managed copies.

In addition to supporting 802.11b/g, Ethernet and USB 2.0, the DTV-8634 also provides a full array of audio and video inputs and outputs, enabling it to be easily incorporated into any HDTV.

Based on our SMP8634 Secure Media Processor, the DTV-8634 enables the rapid development of a versatile, low-cost DVB/ATSC HDTV.



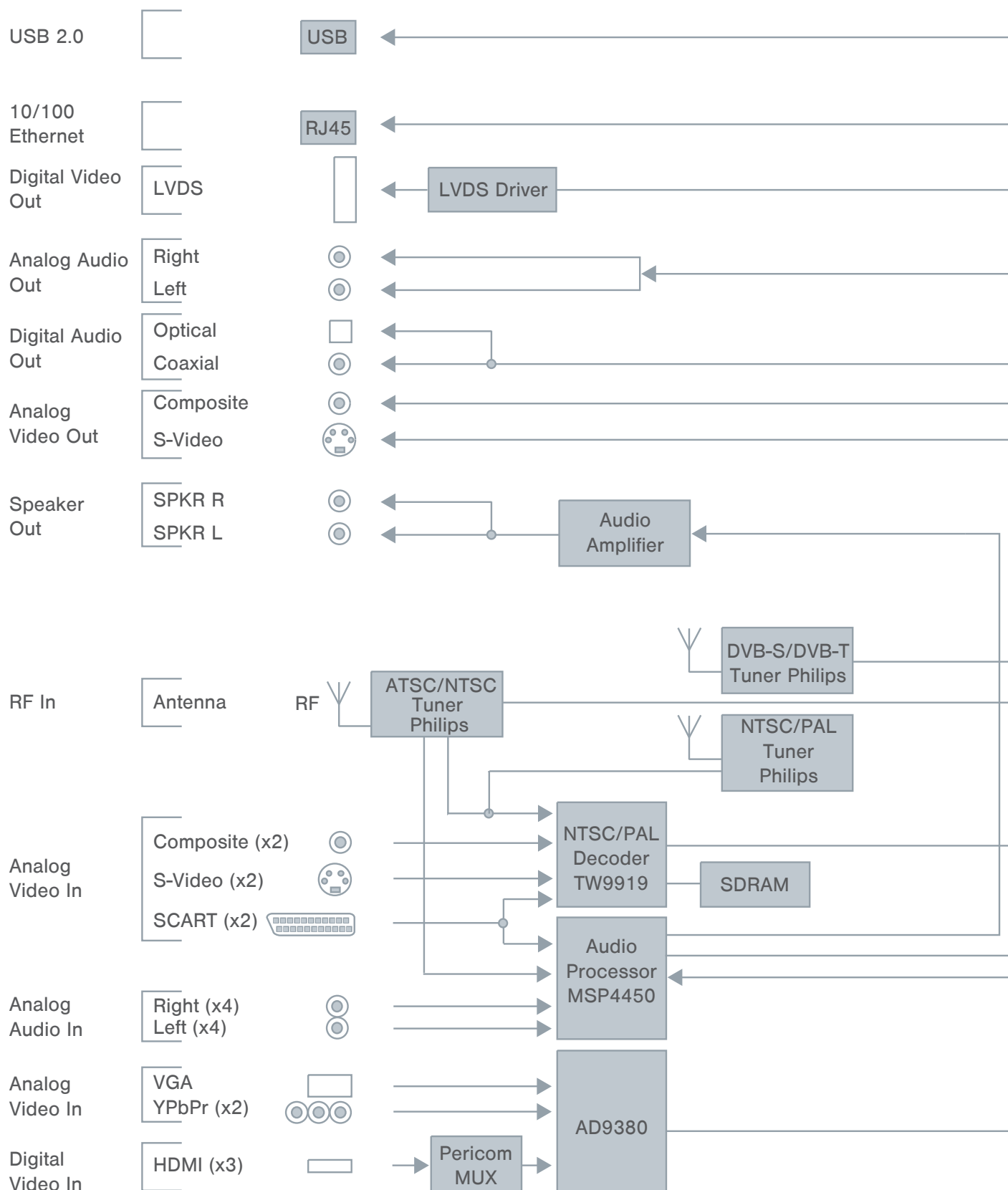
- Enables rapid development of a DVB/ATSC HDTV with integrated networking
- Supports ATSC, DVB-T, NTSC and PAL broadcasts
- Supports Microsoft® TV IPTV client software
- Networking capabilities include USB 2.0 Host, Ethernet and 802.11b/g
- Video inputs include (2) composite, (2) S-video, (2) YPbPr, VGA, (2) SCART, (3) HDMI and antenna
- Peripheral connectors include IDE, LVDS out, IR and Mini PCI for optional 3rd party 802.11b/g wireless card
- Includes PC board, SDK, development tools, schematics, bill of materials, Gerber files and documentation

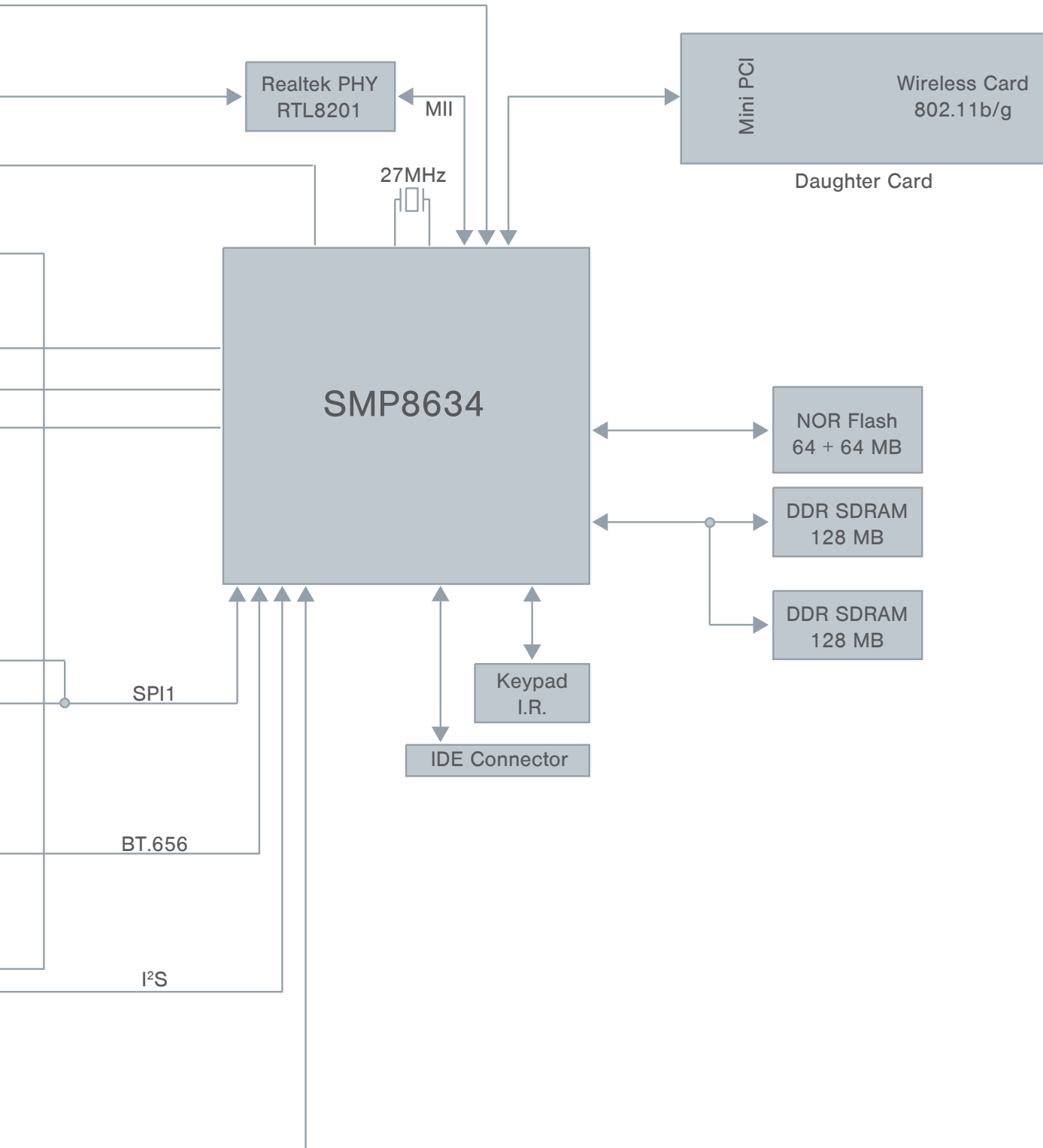
POWERING THE DIGITAL MEDIA GENERATION



# DTV-8634

## Block Diagram





## DTV-8634 FEATURES AND SPECIFICATIONS

### BROADCAST SUPPORT

- ATSC, DVB-T
- NTSC and PAL
- Microsoft® TV IPTV
- Supports variety of Philips NTSC, PAL, ATSC, DVB-T tuners

### VIDEO DECODING

- SMP8634 supports a wide variety of video codecs
- NTSC/PAL (uses Techwell TW9919 with on-chip 3D comb filter)

### AUDIO DECODING

- SMP8634 supports a wide variety of audio codecs
- Micronas MSP4450 audio processor supports all NTSC/PAL audio standards

### AUDIO INPUTS AND OUTPUTS

- Audio inputs: four stereo analog
- Audio outputs: stereo speakers, stereo analog and two SPDIF (coaxial and optical)

### VIDEO INPUTS AND OUTPUTS

- Video inputs: (2) NTSC/PAL composite and S-video, (2) YPbPr, VGA, (2) SCART, (3) HDMI and antenna
- HDMI inputs use Pericom HDMI multiplexer with equalization
- Video outputs: NTSC/PAL composite and S-video, LVDS (single and dual link, up to 1080p60)

### MEMORY

- 64MB + 64MB NOR flash
- 256MB DDR-1 DRAM

### OTHER I/O

- USB 2.0 high speed (embedded host)
- Two 10/100 BaseT Ethernet (RJ45)
- IDE connector (40-pin header)
- IR input (3-pin header)
- Mini PCI connector for optional 3rd party 802.11 card

### DELIVERABLES INCLUDE

- DTV-8634 board
- SDK (API and documentation, includes applicable source code)
- Board schematics
- Bill of materials
- Gerber files
- SMP8634 datasheet
- Debug module
- Remote control
- Requires x86 PC with Redhat Linux
- Microsoft® TV IPTV support requires use of WinCE and Microsoft® TV IPTV client software from Microsoft®

### DTV MIDDLEWARE PARTNERS

- Advanced Communications (Adcom)
- Avtrex
- BitRouter
- ConFocus
- Fujisoft
- VividLogic

## SALES OFFICES

### U.S.A (HEADQUARTERS)

1778 McCarthy Blvd.  
Milpitas, CA 95035  
Tel: (408) 262-9003  
Fax: (408) 957-9740  
www.sigmadesigns.com  
sales@sdesigns.com

### CHINA

Sigma Designs China Office  
Unit 7C1, TianXiang Building  
Tian'An Cyber Zone,  
Futian District,  
Shenzhen, PRC  
Postcode 518048  
Tel: +86 755-83435669  
Fax: +86 755-83435629

### EUROPE

Sigma Designs, Inc.  
Tel: +32 474-501234  
Fax: +32 234-72260

### HONG KONG

Sigma Designs (Asia) Ltd.  
Unit 4001B, Tower 2, Metroplaza  
223 Hing Fong Road  
Kwai Fong, N.T. Hong Kong  
Tel: +852 2401-7388  
Fax: +852 2610-2177

### JAPAN

Sigma Designs Japan  
4-16-8 Nakahara, Mitaka-shi,  
Tokyo 181-0005, Japan  
Tel: +81 422-79-3067  
Fax: +81 422-79-3067

### TAIWAN

Sigma Designs Taiwan  
Far East World Center, C Tower  
8F-8, No. 79, Sec 1  
Hsin Tai Wu Road  
Hsichih, Taipei Hsien  
Taiwan  
Tel: +886 2-2698-2066  
Fax: +886 2-2698-2099

## DISTRIBUTORS

### JAPAN

MACNICA, Inc.  
Brilliant Technologies Company  
Macnica Bldg. No 1, 1-6-3 Shin-Yokohama  
Kohoku-Ku, Yokohama-City, 222-8561  
Japan  
Tel: +81 45-470-9831  
Fax: +81 45-470-9832  
www.btc.macnica.co.jp

### KOREA

Uniquet / Tekclips  
Uniquet Building  
271-2 Seohyeon-dong,  
Bundang-gu, Seongnam-si,  
Gyeonggi-do, Korea,  
463-824  
Tel: +82-31-776-9832  
Fax: +82-31-708-6596  
www.uniquet.co.kr

### INDONESIA, MALAYSIA, SINGAPORE

Convergent Systems (S) Pte. Ltd.  
60 Albert Street  
#11-01 Albert Complex  
Singapore 189969  
Tel: +65 6337-0177  
Fax: +65 6336-2247  
www.convergent.com.sg

